



Waterwise 4000™

Countertop Steam Distiller

USE & CARE GUIDE



See It Work

www.waterwise.com



See important safeguards on pages 2 and 3



An exclamation point within an equilateral triangle is intended to alert user to the presence of important operating, safety and maintenance instructions in the literature accompanying the appliance.



A lightning bolt within an equilateral triangle is intended to alert user to risk of injury from electric shock.



Water and steam vapor within an equilateral triangle is intended to alert user to risk of injury from hot, boiling water or steam.





IMPORTANT SAFEGUARDS

To prevent personal injury or property damage, read and follow the instructions and/or warnings in this Use & Care Guide. A person who has not read and understood all operating and safety instructions is not qualified to operate this appliance.

CAUTION: Basic safety precautions should always be followed to avoid risk of fire and electric shock. Because boiling water is generated in this appliance, basic safety precautions should always be followed to avoid risk of burns from hot steam and scalding water, especially when children are present.

**READ ALL INSTRUCTIONS BEFORE USE.
HOUSEHOLD USE ONLY.**



1. **WARNING:** Steam and hot, boiling water will scald the skin and result in severe burns. Water in the boiler tank is heated to boiling (212° F). Even water at 130° F can cause severe burns. **ALWAYS** seek immediate medical attention for burns caused by hot, boiling water or steam. To avoid risk of severe burns:
 - **DO NOT** allow children or persons with reduced physical, sensory or mental capabilities to operate the Distiller.
 - **DO NOT** allow children near the Distiller without close supervision. Warn others of possible risks.
 - **DO NOT** change position or location of Distiller while it is operating or cooling. Wait at least 30 minutes after a completed cycle or 5 hours if cycle is interrupted before moving the distiller.
 - **DO NOT** lift boiling tank cover while Distiller is operating or cooling. Wait at least 30 minutes after a completed cycle or 5 hours if cycle is interrupted before lifting the cover.
 - **DO NOT** unplug Distiller from electrical outlet once cycle has been started and the fan and red indicator light are on. Press reset button if the cycle is accidentally interrupted.
 - **DO NOT** operate in a moving conveyance such as RV or boat.
 - **DO NOT** use outdoors. Use **INDOORS** on a dry, level, well-supported surface **ONLY**.
 - **DO NOT** place Distiller on a tablecloth or near the edge of the supported surface where it can be bumped or pulled down.
2. **DO NOT** attempt to make safe drinking water from non-potable sources. Use with potable water only. **DO NOT** use salt water as this will damage certain components and void warranty. Appliance has not been tested or certified by the California Department of Public Health.





3. **ALWAYS** operate in a well-ventilated area away from other heat sources. Provide adequate air space (at least 4 inches from walls or cabinets) when in use.
4. **DO NOT** place, store or stack anything on top of or against sides of Distiller while in operation.
5. **DO NOT** place on or near a hot gas or electric burner.
6. **ALWAYS** make sure collection/storage bottle is properly positioned with spout cover of lid in the open position for proper water collection (fig. B, page 5). **DO NOT** remove collection/storage bottle while Distiller is operating.
7. **DO NOT** operate without water in the boiler tank. Permanent damage may occur.
8. **DO NOT** fill boiler tank above the “FULL” lines. Overfilling will jeopardize water quality and may result in damage to Distiller not covered by the warranty. To avoid risk of overfilling or spilling, use a pitcher to fill the boiler tank.
9. **DO NOT** use appliance for cooking, heating, humidifying or any other purpose except making distilled water.
10. **DO NOT** attempt to repair the Distiller. There are **NO** user serviceable parts inside. If servicing becomes necessary, please contact your authorized dealer or an authorized service facility. See warranty for service details (Page 12).



ELECTRIC CORD STATEMENT

1. Plug Distiller into a grounded electrical outlet only.
2. A short power supply cord is provided to reduce risks resulting from becoming entangled in or tripping over a longer cord. If an extension cord must be used, **DO NOT** allow cord to hang over the edge of counter or contact hot surfaces.
3. To prevent electric shock, injury or fire, a grounded extension cord must be rated at least as great as the electrical rating shown on bottom of the Distiller.
4. **DO NOT** operate with a damaged cord or plug, after a malfunction, or if the Distiller has been damaged in any manner. Return to an authorized dealer or authorized service facility for examination, repair or replacement.
5. To prevent electrical shock or personal injury, **DO NOT** immerse power cord, boiler tank or cover in water or liquid.
6. Fan cord receptacle is for Distiller use **ONLY**.
7. Unplug from wall outlet when not in use and before cleaning.

SAVE THESE INSTRUCTIONS

See It Work

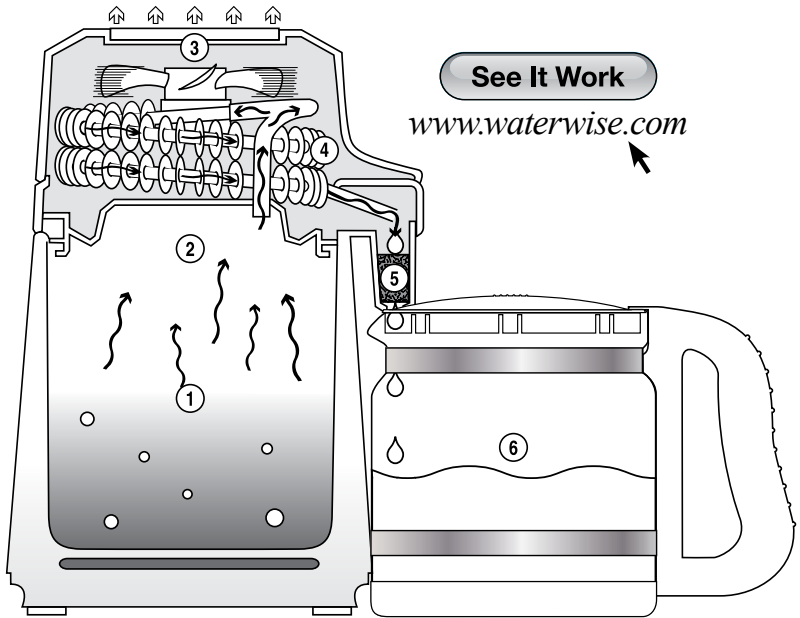
www.waterwise.com



An interactive online guide
for using and maintaining
your distillation system.

HOW IT WORKS

FIGURE A



See It Work

www.waterwise.com

This appliance produces distilled water by using the oldest, most effective method of water treatment—steam distillation. When the Distiller is operating, the water temperature rises to 212° F (100° C), killing bacteria, cysts, and viruses that may be present. As boiling water ① converts to steam ②, it rises and leaves behind dead microbes, dissolved solids, salts, heavy metals, and other substances. Low boiling light gases that may be present are discharged through the gaseous vent ③. Steam is then cooled in the stainless steel condenser ④, turning it into distilled water which percolates through a final polishing coconut shell carbon filter ⑤ to enhance quality by adsorption of VOCs (volatile organic compounds), then is collected in the glass collection/storage bottle ⑥.

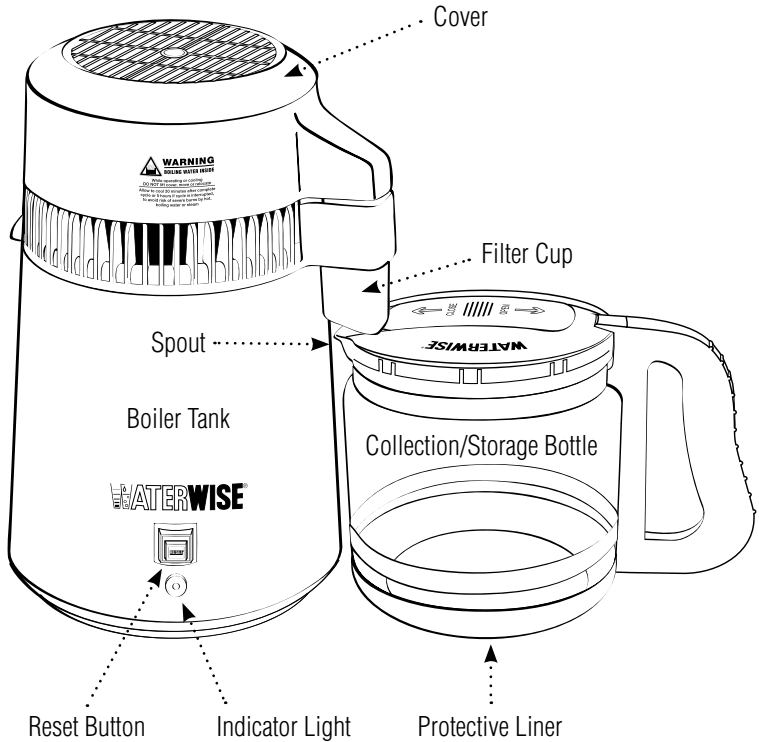
PREPARING FOR FIRST TIME USE

Clean Collection/Storage Bottle

Lift off Cover from Boiler Tank and remove collection/storage bottle (fig. B) from **INSIDE** Distiller. Carefully remove contents and assemble per instructions included inside bottle.

- Fill bottle approximately three-fourths full with warm tap water
- Add one or two drops of dish detergent and wash bottle interior
- Rinse thoroughly

FIGURE B



Rinse and Sterilize Carbon Filter Cup

Turn the Cover upside down on countertop. Remove the filter cup by pushing inward and lifting up to unhook (fig. C). Before installing new filter cup, remove plastic and the two protective seals (one on top and one on bottom) and discard. Pour 1 to 2 cups of boiled or distilled water through filter cup to rinse away any small harmless carbon fines (dust). Water draining from the filter cup may contain black dust. This is normal. This carbon dust is formed as a result packaging and shipping of filter cup.

Once water runs clear through the filter, to ensure optimum water purity, sterilize filter cup by fully immersing in boiling water for about five minutes. **DO NOT** microwave. Carefully remove filter cup from boiling water and allow to cool before handling. Rinse briefly with boiled or distilled water before installing.

Install Filter Cup

There is a label packaged with each filter cup. Write in the date of installation as a replacement reminder and affix label to filter cup. Place the sterilized filter cup into opening of distiller spout. Hook the filter cup tab under cover gasket and apply light, downward pressure away from Cover until the filter locks into place (fig. D).

Clean Boiler

Wash inside of boiler with soap and water. Rinse thoroughly. The unit is now ready for use.

Operational maintenance and replacement requirements are essential for this product to perform as advertised.

FIGURE C

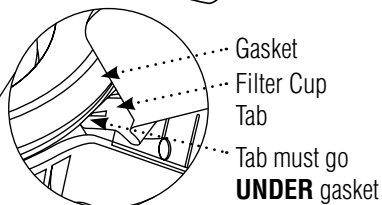
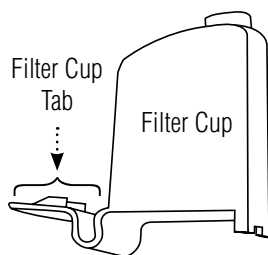
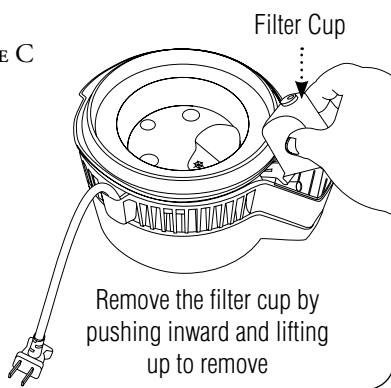


FIGURE D

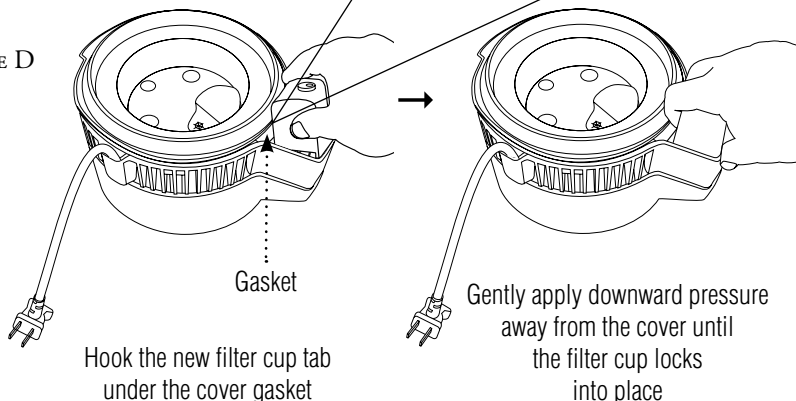
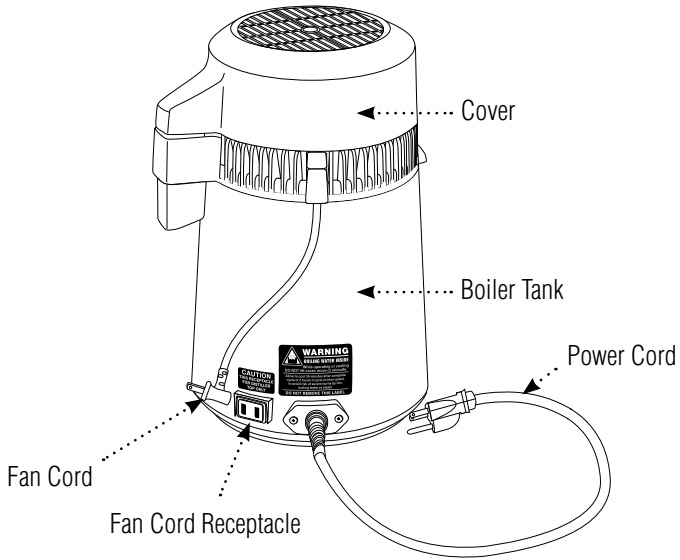


FIGURE E



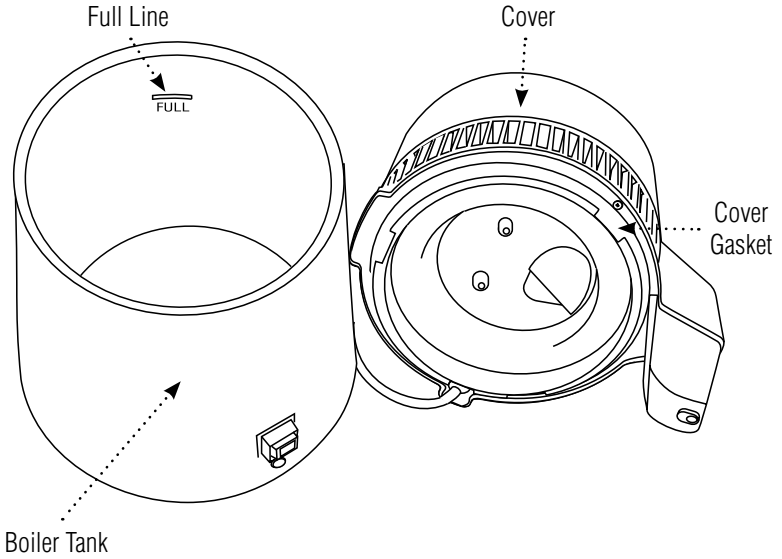
USING THE COUNTERTOP DISTILLER

1. Set Distiller on a dry, level, well-supported, stable surface.
2. Unplug fan cord from fan cord receptacle. Remove cover and set aside (fig. E).
3. Fill stainless steel tank to “FULL” line with approximately 1 gallon (3.8 liters) ordinary tap water. **DO NOT OVERFILL** (fig. F). To avoid risk of spilling, use a pitcher to fill the boiler tank.
4. Be sure filter cup is locked in place (fig. D).
5. Replace cover on boiler tank and plug fan cord into receptacle.
6. Open the sliding cover on the collection/storage bottle lid and align opening under filter cup (fig. B).
7. Plug power cord into a properly rated, grounded outlet.
8. Press reset button to turn on Distiller. Red indicator will light and fan motor will start (fig. B).
9. After about 30 minutes, distilled water will begin to fill collection/storage bottle. When cycle is complete (approximately four hours for 1 gallon), Distiller turns off automatically. Wait at least 30 minutes before lifting or removing cover!



WARNING: NEVER LIFT COVER WHILE FAN IS RUNNING. DO NOT CHANGE POSITION OR LOCATION OF DISTILLER WHILE IT IS OPERATING OR COOLING. WAIT AT LEAST FIVE HOURS IF CYCLE IS INTERRUPTED BEFORE MOVING DISTILLER. SEVERE BURNS CAN RESULT FROM HOT, BOILING WATER OR STEAM.

FIGURE F



10. Unplug power cord from electrical outlet.
11. Discard first gallon of distilled water as it may contain some harmless matter from manufacturing and/or packaging.
12. Rinse boiler thoroughly before refilling.

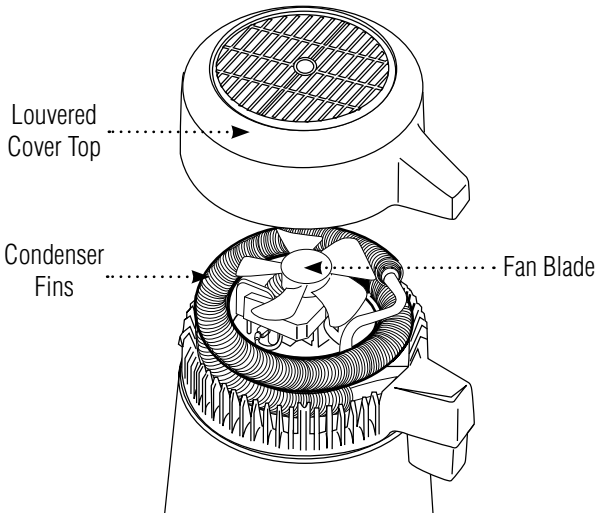


WARNING: To prevent personal injury or electric shock, **DO NOT** immerse the Distiller, its boiler tank, its cords or plugs in water or other liquid.



WARNING: NEVER LIFT COVER WHILE FAN IS RUNNING. DO NOT CHANGE POSITION OR LOCATION OF DISTILLER WHILE IT IS OPERATING OR COOLING. WAIT AT LEAST FIVE HOURS IF CYCLE IS INTERRUPTED BEFORE MOVING DISTILLER. SEVERE BURNS CAN RESULT FROM HOT, BOILING WATER OR STEAM.

FIGURE G



DISTILLER MAINTENANCE



WARNING: Always be sure to unplug power cord from electrical outlet before cleaning or servicing Distiller.

Boiler Tank

Rinse the boiler tank with warm water before every distillation cycle to remove any loose residue. As scale deposits accumulate, use an approved cleaner, such as **KLEENWISE**, to remove deposits. You may also use a diluted solution of one cup white vinegar to every two cups of water.

DO NOT operate Distiller with cleaning solution in boiler tank. Use a soft plastic or nylon scouring pad if needed. **DO NOT** use abrasive cleaners, caustic acids, steel wool pads or metal utensils. Rinse thoroughly after cleaning. Wipe outside of Distiller with a soft cloth or sponge and mild soapy water.

Condenser Fins

Dirty condenser fins can cause poor cooling efficiency. If you notice steam coming from the filter spout or a decrease in the amount of distilled water, clean the condenser fins.

- Remove three screws (located under gasket) from the cover (fig. F) and lift off louvered cover top (fig. G).
- Clean accumulated dust/dirt from condenser fins with small brush or vacuum cleaner (fig. G).
- Replace cover top and secure with the three screws.

Collection/Storage Bottle

See page 5 for cleaning instructions.

Carbon Filter Cup (figs. C & D)

The filter cup should be replaced every 2 months or after 60-80 gallons of water processed (whichever comes first). Replace more often should the distilled water begin to have an unwanted taste or odor. Rinse and sterilize new filter cup per instructions on pages 5 and 6. Discard first gallon of distilled water as it may contain small, harmless carbon fines. Order replacement filters from the outlet where you purchased your distiller.

TROUBLESHOOTING TIPS

1. Not making distilled water.
 - A. Power cord not plugged in.
 - B. No electricity at outlet.
 - C. Fan cord not plugged into fan cord receptacle.
 - D. Reset button not pressed.
 - E. No water in boiler tank.
2. Not making enough water each cycle.
 - A. Fan cord not plugged into fan cord receptacle.
 - B. Boiler tank not filled to “FULL” line.
 - C. Collection/storage bottle not placed properly under filter cup.
 - D. Cover gasket not sealing properly or needs to be replaced (fig. F).
 - E. Condenser fins dirty (see page 9).
 - F. Ambient conditions such as room temperature and humidity.
 - G. Filter cup tab not hooked under cover gasket (fig. D).
3. Steam coming from filter cup.
 - A. Fan cord not plugged into fan cord receptacle.
 - B. Condenser fins dirty (see page 9).
 - C. Filter cup not properly aligned/fastened under spout (fig. D).
4. Water leaks from unit.
 - A. Protective seals on filter cup have not not been removed.
 - B. Filter cup not properly prepared (see page 5).
 - C. Filter cup not properly aligned/fastened under spout (fig. D).
 - D. Collection/storage bottle not placed properly under filter cup.
 - E. Cover gasket not sealing properly or needs to be replaced (fig. F).
 - F. Filter cup tab not hooked under cover gasket (fig. D).



IMPORTANT: There are **NO** user serviceable parts inside Distiller. Removal of the base plate may void warranty. Contact qualified service personnel for repair if the above troubleshooting tips fail.



WARNING: Always be sure to unplug power cord from electrical outlet before cleaning or servicing Distiller.

PRACTICAL USES FOR CLEAN DISTILLED WATER

Drinking...

it's healthy and delicious

Coffee, Tea & Cocoa...

you'll enjoy truer, richer flavors while using less

Fruit Juices...

experience the freshly squeezed, natural flavor

Ice Cubes...

crystal clear and sparkling—won't spoil your drink

Cooking...

enhances natural taste and appearance without unsavory chemicals

Low Sodium Diets...

up to 99.9% sodium free

Baby Care...

ideal for mixing formulas

Pets, too...

pets enjoy the same pure water benefits as their human friends

Complexion Care...

daily cleansing without pore clogging impurities

Aquariums...

fish thrive in a clean, clear, chlorine-free tank

Houseplants...

*eliminate brown tips on foliage and salt deposits on flower pots—
enjoy blooms longer*

Steam Irons & Humidifiers...

no damaging scale buildup means longer product life

**Inhalation therapy, herbal tinctures and many other uses
you'll discover...**

WARRANTY REGISTRATION CARD



Please fill out and return the enclosed registration card or register online at: www.waterwise.com/warranty (scan the QR Code)

Registration will not affect warranty coverage, but may expedite processing of your warranty. Registration is the only way to guarantee you will be notified by Waterwise of any issues that arise concerning this product.

OWNER'S LIMITED WARRANTY

Waterwise warrants, to the original purchaser, this product against defects in materials and workmanship, excluding the disposable carbon filter, for a period of one (1) year from the date of purchase. Defects or failures due to shipping/handling, improper use or maintenance, including abuse or neglect, normal wear, water conditions, accidents, alterations or modifications, or unauthorized repair are specifically excluded from this warranty. No dealer, distributor, agent, representative, or other person is authorized to extend or expand this warranty.

Waterwise is not responsible or liable for personal injury, property damage, or incidental or consequential damages arising out of, or in connection with, the use or performance of the product or other damages with respect to loss of use. It is the responsibility of the user to ensure this product is installed in a location and used in a manner that is appropriate for its intended use.

Waterwise will, at its option, replace or repair the defective part(s) without charge, provided they are returned, transportation prepaid by owner, to an authorized service facility or to the address below. Enclose a letter describing the problem, copy of dated proof of purchase, and your name, address and daytime telephone number.

This limited warranty does not guarantee uninterrupted service. Repair or replacement as provided under this warranty is the exclusive remedy of the purchaser. This limited warranty is in lieu of all other warranties, expressed or implied, including, but not limited to, any implied warranty of merchantability or fitness for a particular use or purpose. This warranty gives you specific legal rights and you may also have other rights which vary from state to state or province to province.

Outside the United States, a different warranty may apply. For details, please contact your authorized Waterwise distributor.



3608 Parkway Blvd • Leesburg Florida 34748-9399 • (352) 787-5008 • Fax: (352) 787-8123
www.waterwise.com • E-mail: service@waterwise.com