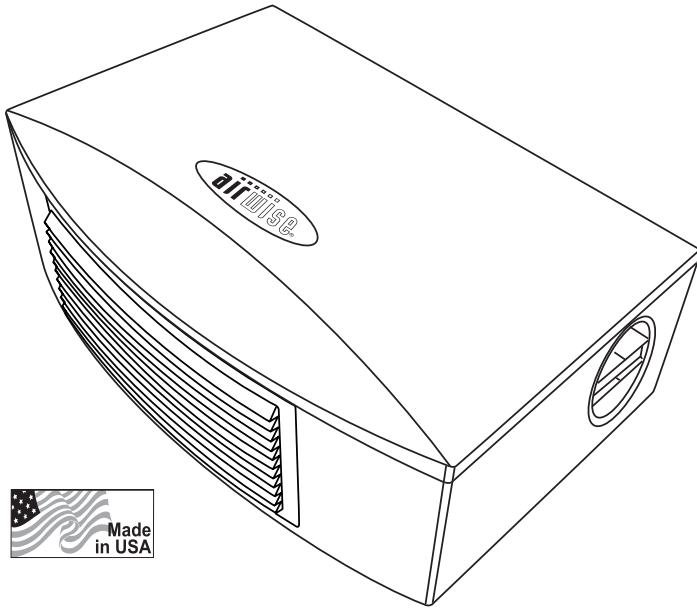


USE & CARE GUIDE

Airwise® Air Purifier

Small, Large and Multi-room Models



See important safeguards on pages 2 and 3



An exclamation point within an equilateral triangle is intended to alert user to the presence of important operating and maintenance instructions in the literature accompanying the appliance.



A lightning bolt within an equilateral triangle is intended to alert user to risk of injury from electric shock.



IMPORTANT SAFEGUARDS

A person who has not read and understood all operating and safety instructions is not qualified to operate this appliance. When using this appliance, always adhere to basic safety precautions including:

READ ALL INSTRUCTIONS BEFORE USE.

1. Use **INDOORS** on a dry, level, well-supported, stable surface.
DO NOT use outdoors.

2. Keep out of reach of children.



3. Plug Purifier into a 120 volt electrical outlet only. This Purifier has a polarized plug (one blade is wider than the other). To reduce the risk of electrical shock, the plug will fit into a polarized outlet only one way. If the plug does not fit fully into outlet, reverse plug. If it still does not fit, contact a qualified electrician. **DO NOT** modify plug in any way.

4. **DO NOT** operate with a damaged cord or plug, after a malfunction, or if the Purifier has been damaged in any manner. Return to an authorized dealer or authorized service facility for examination, repair, or replacement.

5. If an extension cord must be used, its marked electrical rating should be at least as great as the electrical rating of the Purifier.

6. **DO NOT** allow power cord or extension cord to hang over the edge of a counter or contact hot surfaces. **DO NOT** use Purifier if cord is damaged or defective.

7. To protect against fire, electrical shock, and injury to persons, **DO NOT** immerse power cord or Purifier in water or liquid.

8. **DO NOT** place too near an edge of the supported surface where Purifier can be bumped or pulled down on someone.



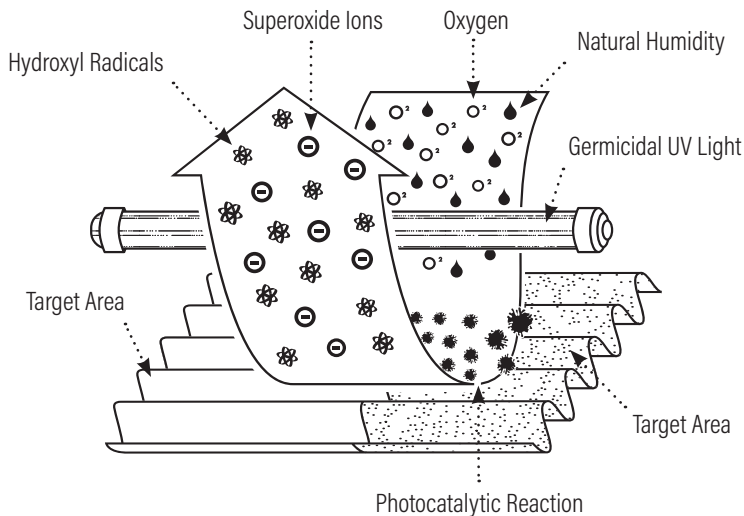
9. This Purifier requires no special care other than annual lamp module replacement. If servicing becomes necessary, please contact your authorized dealer or an authorized service facility. **DO NOT** attempt to repair yourself. There are **NO** user serviceable parts inside.
10. Unplug from wall outlet and allow to cool completely before changing the lamp module.
11. **DO NOT** use appliance for other than intended use.
12. **DO NOT** move Purifier while it is operating.
13. **DO NOT** operate in a moving vehicle.

| | | |
|---|---|--|
| | CAUTION RISK OF ELECTRICAL SHOCK DO NOT OPEN | |
| ATTENTION | | |
| CAUTION! TO REDUCE THE RISK OF ELECTRICAL SHOCK, DO NOT REMOVE BOTTOM COVER. NO USER SERVICEABLE PARTS INSIDE. REFER SERVICING TO QUALIFIED SERVICE PERSONNEL. | | |

WARNING

The Airwise Purifier is not a medical device. **DO NOT** stop or alter any medical therapy programs or medications without the advice of your physician. People with pacemakers and other electronic support devices should consult their health-care provider before using this appliance.

SAVE THESE INSTRUCTIONS



HOW IT WORKS

Airwise uses humidity from the air to create a photocatalytic reaction between the germicidal UV lamp and the multi-metallic and titanium dioxide coatings on the target area of the lamp module. This reaction produces hydroxyl radicals and superoxide ions. As they are emitted into the room they destroy microorganisms like bacteria and viruses and oxidize odors, fungi, mold, parasites, and toxic chemical gases. The Airwise purifier also includes Wisepointe technology, a self-limiting negative ion generator. Negative ions are attracted to airborne positive ions such as dust, pollen, pet dander and smoke. This agglomeration of ions makes the particles heavier than air, thus settling them out of the breathing space.

INSTALLATION/OPERATION

Place the Purifier on a flat, level, stable surface in the room where you spend the most time or close to source of odor. For optimal performance, place the Purifier higher up, such as on a tall piece of furniture. The Purifier includes an extra long power cord to accommodate this optimal placement. To insure proper air flow, keep the appliance at least 4 inches away from wall.

Plug Airwise into a standard 120 volt wall outlet only. Press “On/Off” switch to “On” position (see rear view diagram, page 5). Lamp module will illuminate.

Airwise is most effective in treating open areas. A properly sized Purifier will cause the air to smell clean and fresh. Performance may vary according to atmospheric and/or environmental conditions such as altitude, relative humidity, air movement, severity of existing odor, house design and square footage. If you still detect household odor after a few days, a larger size lamp module may be needed. If you notice a lingering, sterile, metallic odor

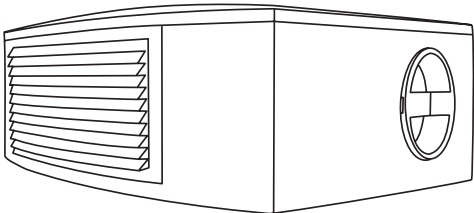
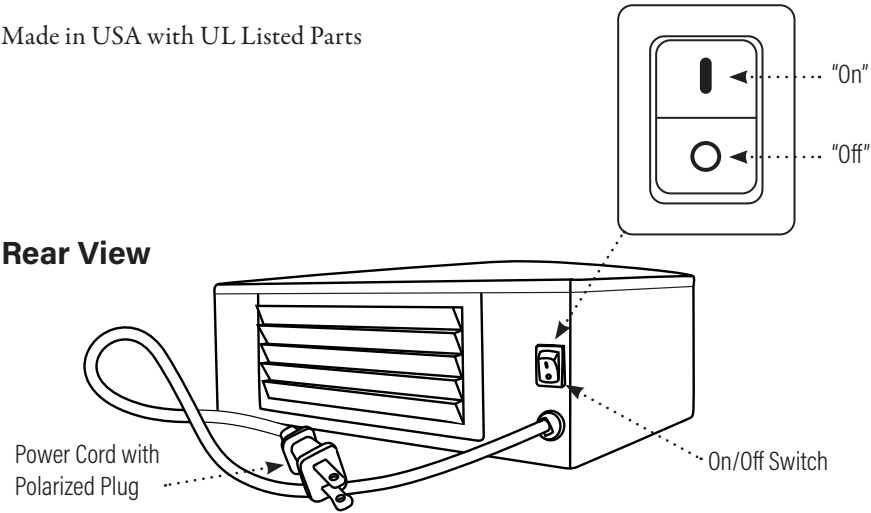
or experience burning eyes, a smaller size lamp module may be needed or the Purifier may need to be moved to a larger room.

SPECIFICATIONS

| MODEL | MIN. TREATMENT AREA | MAX. TREATMENT AREA |
|------------|---------------------|---------------------|
| Small | 150 SQ. FT. | 350 SQ. FT. |
| Large | 350 SQ. FT. | 750 SQ. FT. |
| Multi-Room | 750 SQ. FT. | 1500 SQ. FT. |

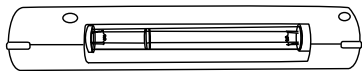
- Ozone Output: Less than .04 ppm
- UV Output: 8 micro watt per sq. centimeter
- Ion Generation: Passive and active negative UV ions
- Electrical Rating: 120 Volt, 60 Hz, 12 Watts, .1 Amp

Made in USA with UL Listed Parts



Right Side View

Lamp Module



DO NOT mistake the "gold flakes" on the module for dirt or prior use. This multi-metallic coating acts as a catalyst in the production of super-oxide ions.

QUESTIONS & ANSWERS

Q: Does my Airwise need to run all the time?

A: No. You can use your Airwise as needed; however, most owners run the Purifier nonstop to continuously enhance the quality of their air.

Q: Is there any maintenance required?

A: No. Simply replace the lamp module once a year.

Q: What about my clothes? Can I eliminate dry cleaning odors or smoke smell?

A: Yes. Place Airwise in a closet with dry-cleaned or smoke-filled garments for one hour with the door closed.

Q: Does the technology help with pet odor?

A: Yes. It not only removes pet odors, but will drop pet dander out of the air.

Q: Can my system be used for travel?

A: Yes. Many owners have an additional small room lamp module which works great in hotel rooms and RVs.

MAINTENANCE

The performance of the Purifier will diminish with use. To maintain best treatment, the lamp module should be replaced after approximately 9000 hours of operation, or once per year if operated continuously.



CAUTION! Always be sure to unplug power cord from wall outlet and allow to cool completely before changing lamp module.

Firmly grip lamp module and pull it out of the Purifier. Install new lamp module by sliding it into Purifier until it is flush with side of appliance (see right side view, page 5).

TROUBLESHOOTING

If you suspect a problem, check the following:

- Purifier is plugged in properly and turned on.
- The wall outlet is active.
- Lamp module correctly installed.



CAUTION! To reduce the risk of electrical shock, **DO NOT** remove bottom cover. No user serviceable parts inside. Refer servicing to qualified service personnel.

SERVICE

Contact qualified service personnel for repair if the troubleshooting tips fail.

WARRANTY

Your Purifier has a three (3) year limited warranty from date of original purchase. Refer to page 8 for details. Complete and return warranty registration card within 20 days of purchase. See Warning/Rating Label on bottom of Purifier for serial number.

WHERE TO USE

- Homes & living areas
- Offices & stores
- Water/fire damaged areas
- Shoe repair stores
- New paint, wallpaper, paneling
- Odor cleanup
- Barbershops
- Doctors offices
- Day care centers
- Smoking areas
- Hair & nail salons
- Hotel rooms
- High pollen environments
- New carpet & furniture
- Kitchens
- Attics
- Laundry rooms
- Basements
- Photo labs
- “Sick” buildings & offices
- Hospitals, nursing homes
- Veterinary offices, kennels
- Printing businesses
- Locker rooms
- Carpet showrooms
- New cabinetry



This product has been packaged in recycled material. Our goal is to provide the best possible packaging while ensuring the future of generations to come. We encourage you to dispose of this packaging responsibly.

WARRANTY REGISTRATION CARD



Please fill out and return the enclosed registration card or register online at: www.waterwise.com/warranty (scan the QR Code).

Returning this card will not affect warranty coverage, but may expedite the processing of a warranty claim. Returning this card is the only way to guarantee you will be notified of any issues that arise concerning this product. The additional information will also help us to develop new products that best meet your needs. Thank you!

OWNER'S LIMITED WARRANTY

Airwise warrants, to the original purchaser, this product against defects in materials and workmanship excluding the replaceable lamp module, for a period of three (3) years from the date of purchase. The lamp module is warranted against defects in materials and workmanship for one (1) year prorated from the date of purchase. Defects or failures due to shipping/handling, improper use or maintenance, including abuse or neglect, normal wear, accidents, alterations or modifications, or unauthorized repair are specifically excluded from this warranty. No dealer, distributor, agent, representative, or other person is authorized to extend or expand this warranty.

Airwise is not responsible or liable for personal injury, property damage, or incidental or consequential damages arising out of, or in connection with, the use or performance of the product or other damages with respect to loss of use, or costs of removal, installation, or reinstallation.

Airwise will, at its option, replace or repair the defective part(s) without charge, provided they are returned, transportation prepaid by owner, to an authorized service facility or to the address below. Enclose a letter describing the problem, copy of dated proof of purchase, and your name, address and daytime telephone number.

This limited warranty does not guarantee uninterrupted service. Repair or replacement as provided under this warranty is the exclusive remedy of the purchaser. This limited warranty is in lieu of all other warranties, expressed or implied, including, but not limited to, any implied warranty of merchantability or fitness for a particular use or purpose. This warranty gives you specific legal rights and you may also have other rights which vary from state to state or province to province.

Outside the United States, a different warranty may apply. For details, please contact your authorized Airwise distributor.



3608 Parkway Blvd • Leesburg Florida 34748-9399
(352)787-5008 • Fax (352)787-8123