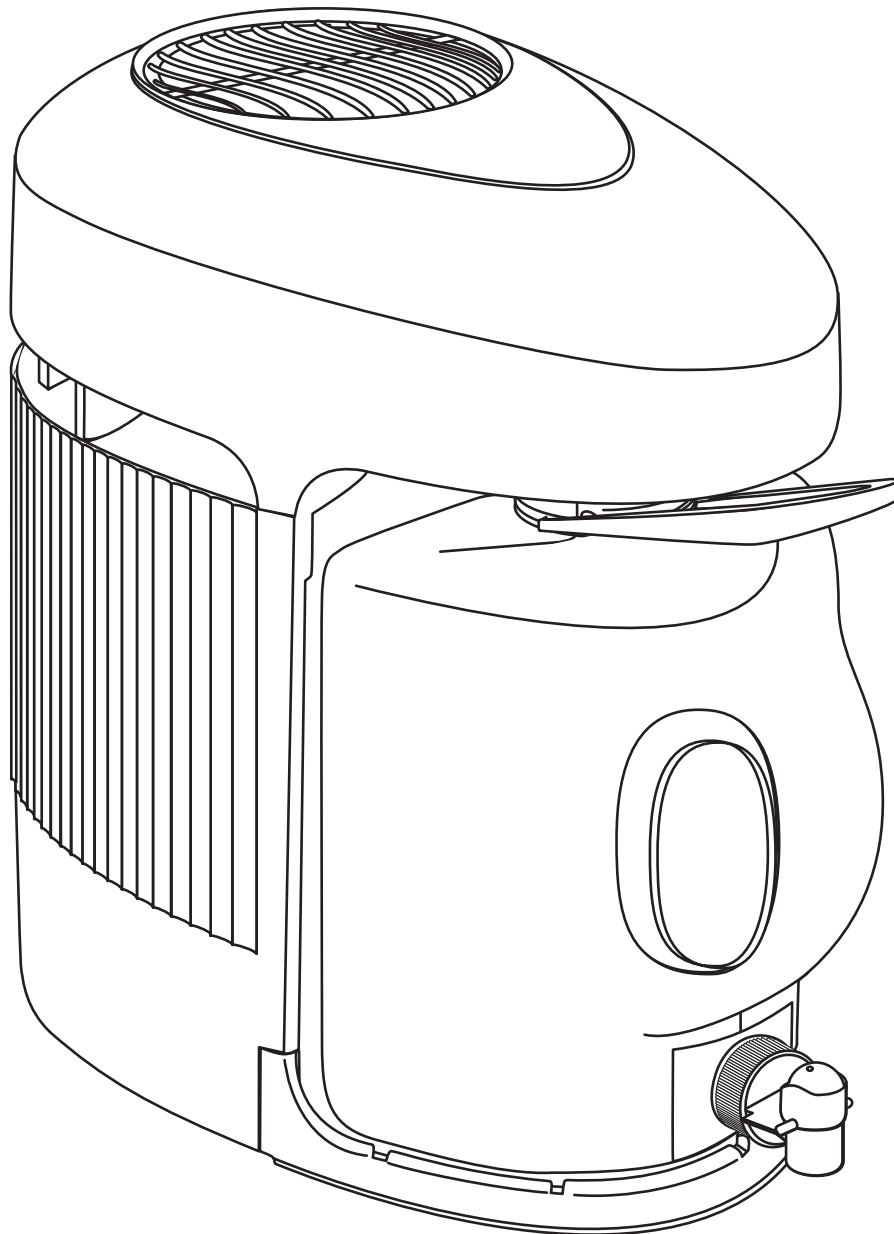
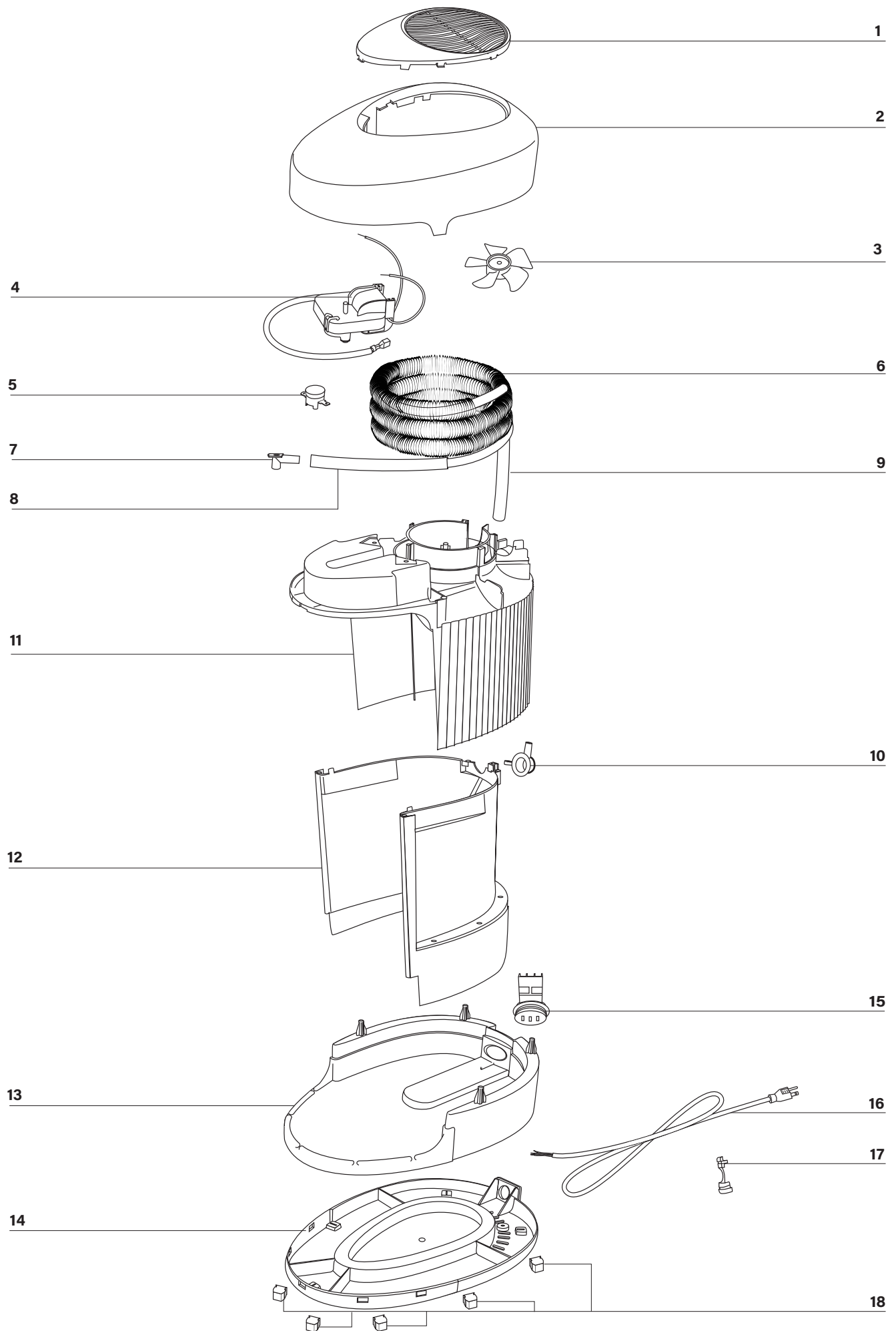


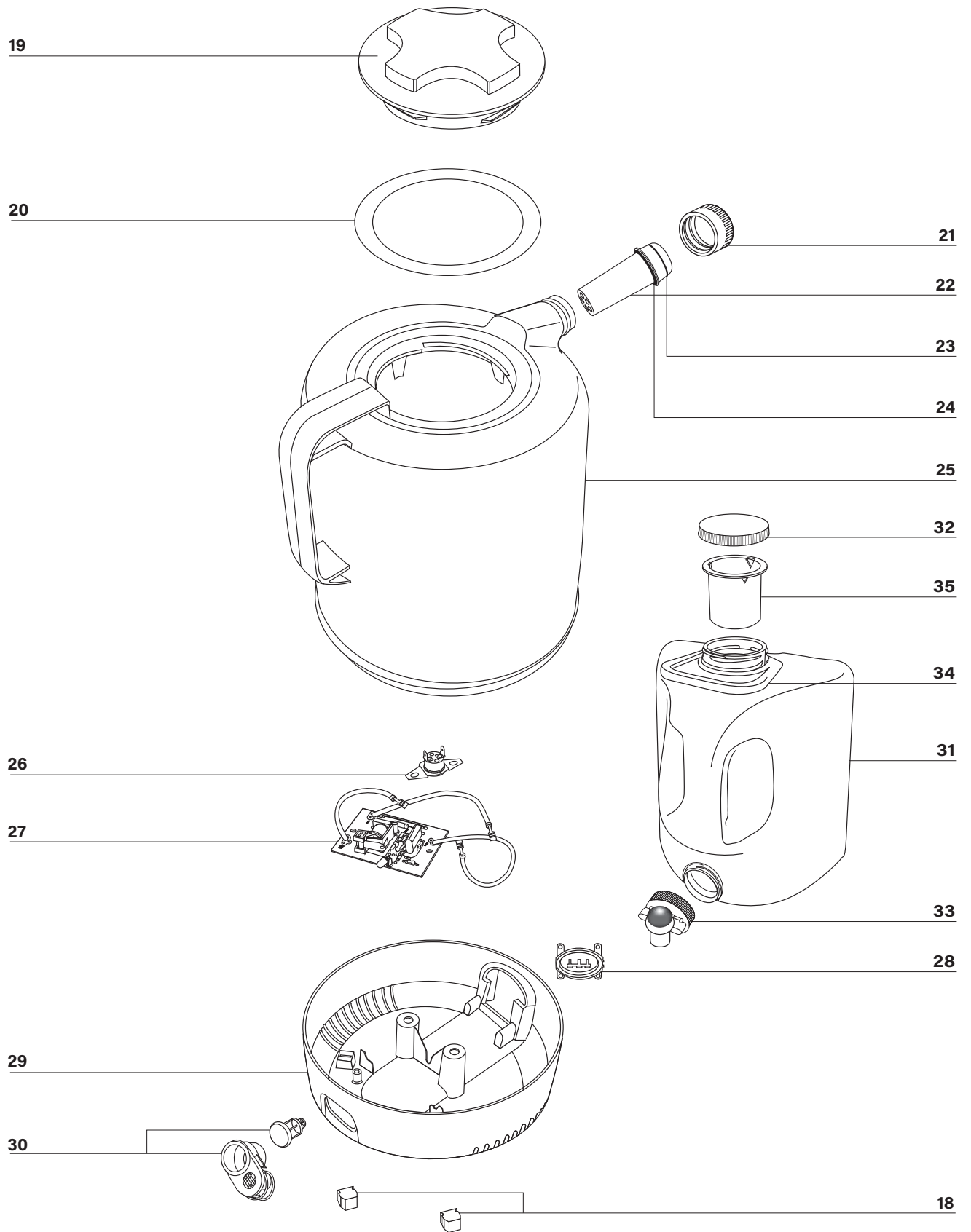


## Distiller 9000™



Parts Diagram ❖ Retail Price List





# Model 9000 Retail Parts List

Effective August 15, 2021

KEY	ITEM	DESCRIPTION	PRICE
1	9155	Vented Fan Cover	\$ 8.45
2	9150	Top Hood Cover	29.75
3	9141	Fan Blade	4.50
4	9140	Fan Motor 120V (for Date Code 9933 +)	38.95
4	9146	Fan Motor 230V (for Date Code 0042 +)	42.95
5	9167	Condenser Thermostat 120V/230V	9.75
6	9165	Condenser Coil	65.00
7	9172	Outlet Elbow	1.50
8	9171	Outlet Tubing	3.75
9	9170	Inlet Tubing	3.75
10	9160	Baffle Receptacle	4.95
11	9180	Chassis Housing Exterior	46.00
12	9186	Chassis Housing Interior (fits Strix Connector)	42.95
13	9196	Chassis Platform (fits Hardwired Cord)	33.25
14	9199	Chassis Bottom (fits Hardwired Cord)	16.00
15	9174	Strix Connector (Chassis)	9.95
16	9101	Power Cord 120V (Hardwired)	12.00
17	9103	Strain Relief	.85
18	9235	Rubber Foot (Grey)	.75
19	9225	Boiling Chamber Lid	7.25
20	9230	Lid Gasket	4.00
21	9227	Baffle Nut	3.25
22	9220	Steam Baffle with O-ring (#23)	7.95
23	9221	O-ring (for Steam Baffle)	.80
24	9223	Gasket (for Steam Baffle)	1.65
21-24	9228	Steam Baffle, O-ring, Gasket & Baffle Nut Kit	12.95
25	9255	Boiler Upper Body w/Element 120V	139.00
26	9249	Boiler Thermostat (for Serial Numbers 70000 +)	12.45
27	9245	Control Board Assembly 120V	37.00
27	9246	Control Board Assembly 230V	37.00
28	9266	Strix Connector (Boiler)	8.95
29	9251	Boiler Base (fits Strix Connector)	19.70
30	9240	Boiler Button w/Retainer	3.00
31-34	9070	1 Gallon Collector w/Cap & Faucet	49.00
32	9051	Cap for Collector	2.90
33	9055	Faucet for Collector	8.95
34	9053	Handle for Collector	3.30
35	6506	Carbon Post Filter Cup (6 qty)	47.00
	9191	Complete Chassis Assembly 120V (Strix)	329.00
	9206	Complete Boiling Chamber Assembly 120V (Strix)	218.00
	9211	Complete Boiling Chamber Assembly 230V (Strix)	265.00

No warranty or return on electrical components.

Prices subject to change without notice.

3608 Parkway Blvd Leesburg FL 34748 • Phone (352) 787-5008 • E-mail [service@waterwise.com](mailto:service@waterwise.com) • [www.waterwise.com](http://www.waterwise.com)